



82R Series Twin Cylinder Compressor

MODEL 82R637 Series

30 PSI MAX. PRESSURE, 4.30 CFM OPEN FLOW (60Hz)

MODEL 82R637 BLDC Series

30 PSI MAX. PRESSURE, 3.8 CFM OPEN FLOW

MODEL 82R642 Series

30 PSI MAX. PRESSURE, 4.7 CFM OPEN FLOW (60Hz)

30 PSI MAX. PRESSURE, 4.1 CFM OPEN FLOW (50Hz)

MODEL 82R642 Series

100 PSI MAX. PRESSURE, 4.4 CFM OPEN FLOW (60Hz)

100 PSI MAX. PRESSURE, 3.2 CFM OPEN FLOW (50Hz)

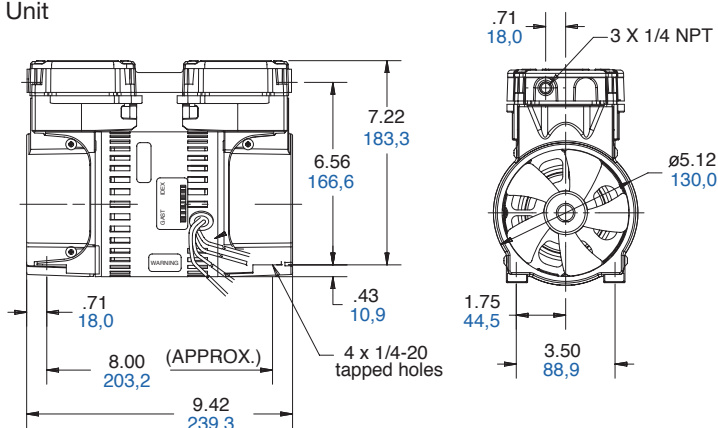
MODEL 82R645 Series

30 PSI MAX. PRESSURE, 4.9 CFM OPEN FLOW (60Hz)

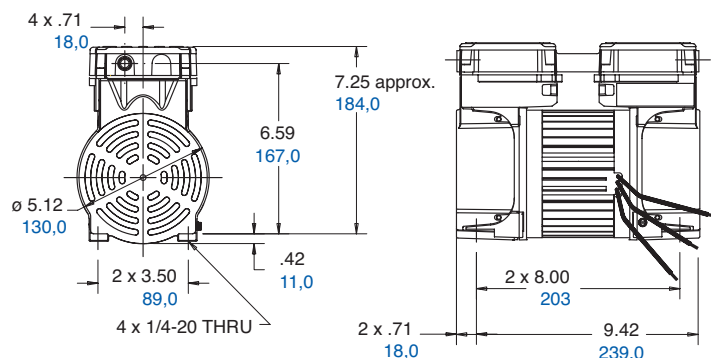
30 PSI MAX. PRESSURE, 4.4 CFM OPEN FLOW (50Hz)

Product Dimensions (Inches, mm)

AC Unit



DC Unit



PRODUCT FEATURES

- Oilless operation
- All wetted aluminum parts treated for corrosion protection from moisture
- Rugged motor shell construction

RECOMMENDED ACCESSORIES

- Relief valve AP202
- Pressure gauge AF583
- Filter B300A
- Capacitors:
 - AT251: 82R637-P135-H311CX
 - AT251B: 82R642-P112-H302CX, 82R645-P135-H302CX, 82R642-P136-H302CX,
 - AT385: 82R645-P107-H304X (shipped with unit)
- Repair kit K797A

Product Specifications

Model Number	Motor Information								Weight	
	Voltage		BLDC	RPM		Type	HP	kW		
	60 Hz	50 Hz		60 Hz	50 Hz				lbs.	kg
82R637-P135-H311CX	115-60-1	-	-	1725	-	PSC	0.33	0,25	17.1	7.8
82R637-P150-H314X	-	-	24V	2000		PM	0.33	0,25	17.9	8,1
*82R642-P112-H302CX	230-60-1	220/240-50-1	-	1725	1425	PSC	0.33	0,25	17.1	8,3
82R642-P136-H302CX	230-60-1	220/240-50-1	-	1725	1425	PSC	0.33	0,25	17.1	7,8
82R645-P107-H304X	110-115/230-60-1	10/220-50-1	-	1725	1425	PSC	0.33	0,25	17.1	7,8
82R645-P135-H302CX	230-60-1	220/240-50-1	-	1725	1425	PSC	0,33	0,25	17.1	7,8

*Units will start against 50 psi back pressure



82R Series Rocking Piston Oil-Less Compressors



Product Performance (U.S./Imperial, [Metric](#))

