



Model AT03 Series

10 psi max. pressure continuous duty
3.7 CFM open flow

Model AT05 Series

10 psi max. pressure continuous duty
15 psi max. pressure intermittent duty
4.8 CFM open flow

Product Features

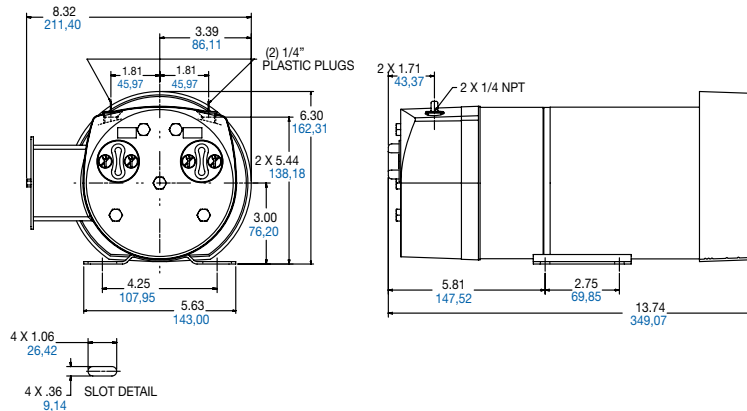
- Oilless operation
- Motor mounted
- New motor design
 - Totally Enclosed Fan Cooled (TEFC) motor offers better protection against environmental conditions.
- Improved mounting stability
- UL Recognized (pressure only)

Includes

- Thermal protector
- Internal muffler and filter
- External inlet filter

Product Dimensions (inches, mm)

Dimensions are for reference only



Product Specifications

Model Number	Voltage/ Frequency/Phase	RPM	HP	kW	Rated Amps	Net Weight	
						lbs	kg
AT03-101-G215DX	115/60-1	1725	1/4	0,19	4.3	29.5	13,4
AT05-101-G215DX	115/60-1	1725	1/4	0,19	4.7	29.5	13,4

Product Performance

